

SOLUTION FOR OFFICE



Public office area

- Motorized cloth curtain
- Motorized roller blinds
- Motorized venetian blinds
- Dome lamp
- Wall lamp
- Reading lamp
- Central air conditioner
- Printer
- Photocopier
- Coffee machine

Manager office

- Motorized cloth curtain
- Motorized roller blinds
- Motorized venetian blinds
- Dome lamp
- Wall lamp
- Reading lamp
- Central air conditioner
- TV
- Media Player



Supervisor office

- Motorized cloth curtain
- Motorized roller blinds
- Motorized venetian blinds
- Dome lamp
- Wall lamp
- Reading lamp
- Central air conditioner

Meeting room

- Motorized cloth curtain
- Motorized roller blinds
- Dome lamp
- Wall lamp
- Central air conditioner
- Projector
- Motorized projector hanger
- Motorized projection screen
- DVD

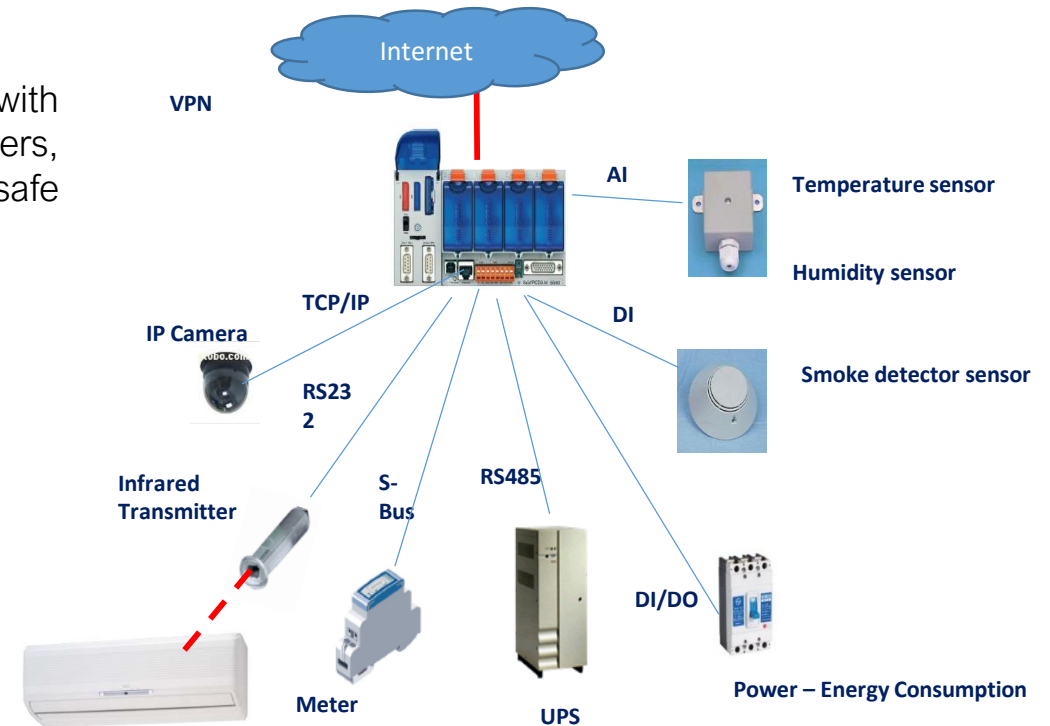
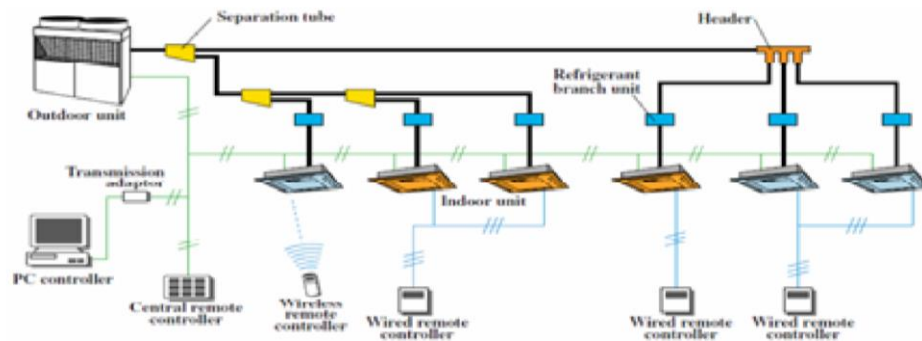


SOLUTION FOR OFFICE

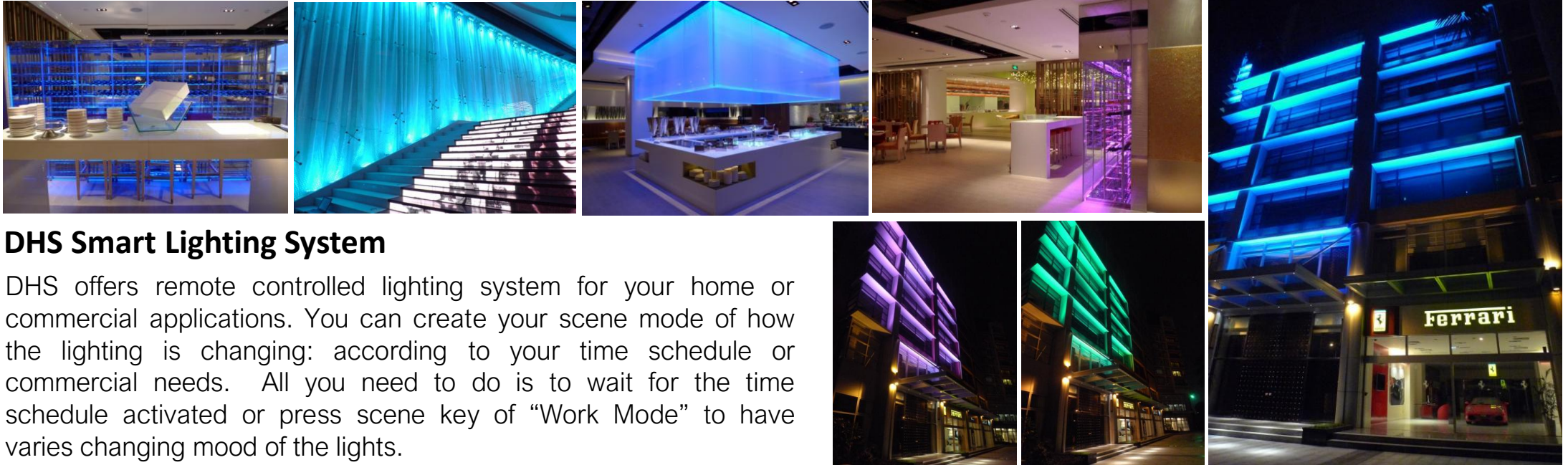


DHS HVAC Central System

DHS provides thermal comfort and air quality in an indoor space with better centralized controlled air conditioners, heat pumps, boilers, chillers and packaged systems. We provide energy efficient and safe HVAC system for your commercial building.



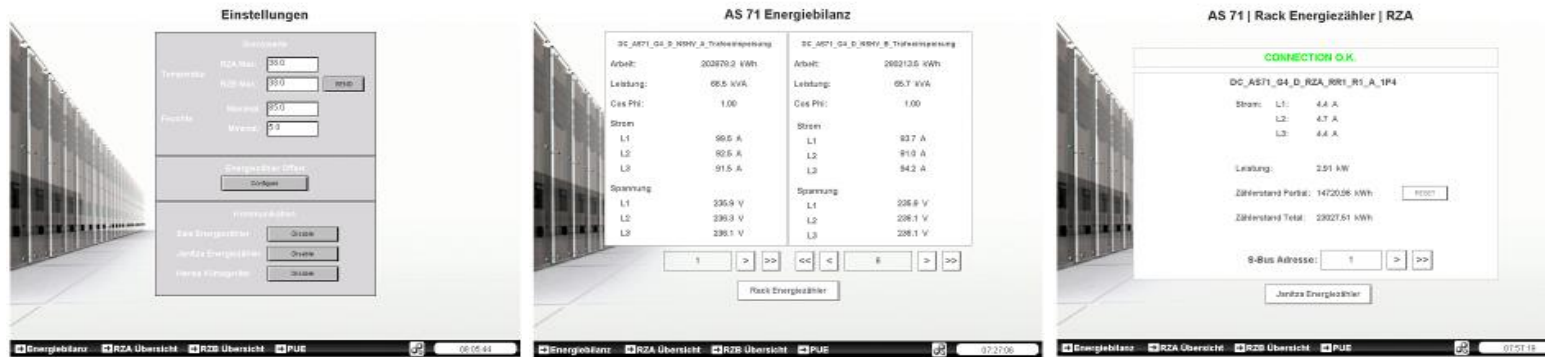
SOLUTION FOR OFFICE



DHS Smart Lighting System

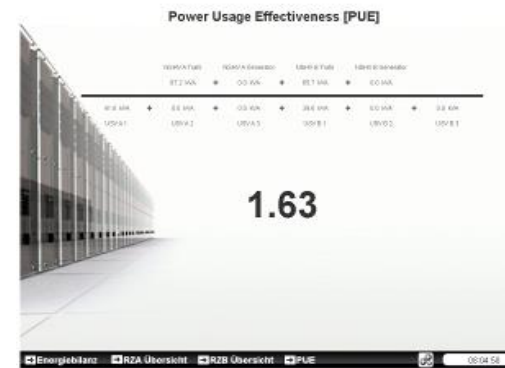
DHS offers remote controlled lighting system for your home or commercial applications. You can create your scene mode of how the lighting is changing: according to your time schedule or commercial needs. All you need to do is to wait for the time schedule activated or press scene key of “Work Mode” to have varies changing mood of the lights.

SOLUTION FOR OFFICE

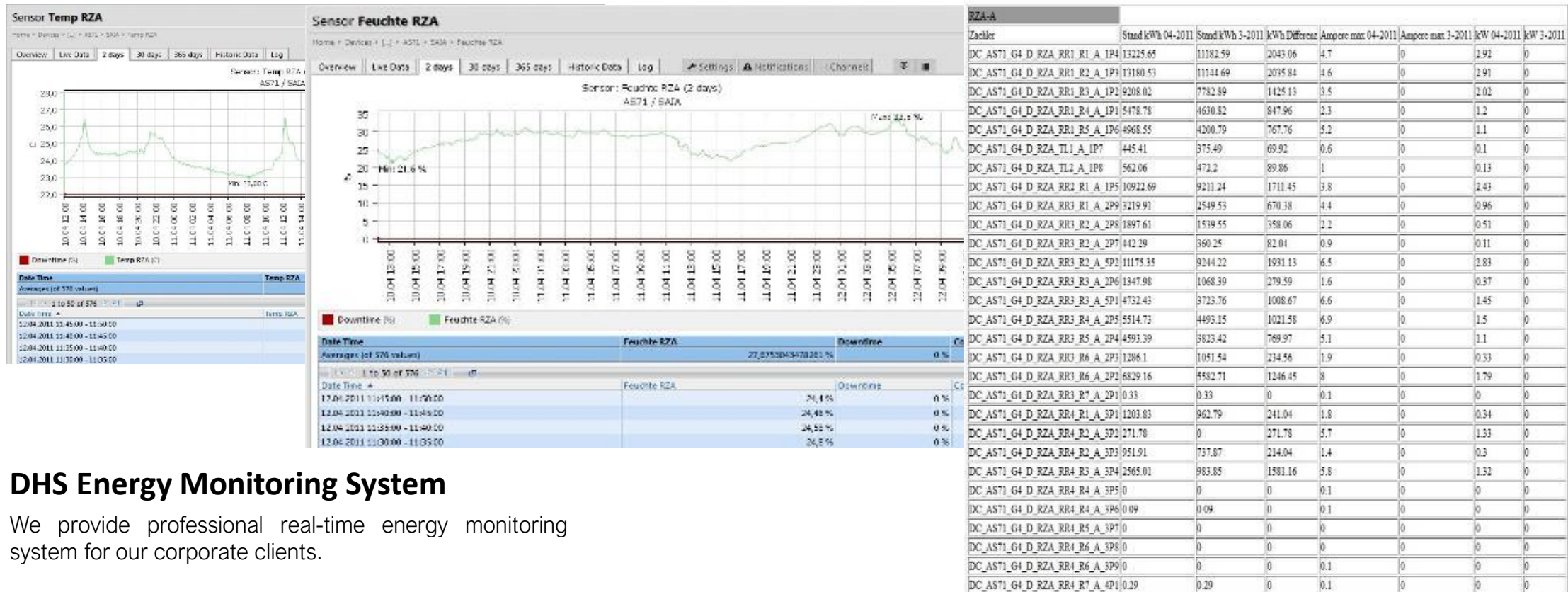


DHS Environmental Monitoring System

If you want to monitor temperature, humidity, spot water detection, security contact zone, float level switch, power failure, motion sensor, smoke detector sensor, magnetic reed door and switch, carbon monoxide (CO) sensor, carbon dioxide (CO2) sensor and other accessories in a single system in your commercial building. You can do it by using our DHS Environmental Monitoring System.



SOLUTION FOR OFFICE



DHS Energy Monitoring System

We provide professional real-time energy monitoring system for our corporate clients.